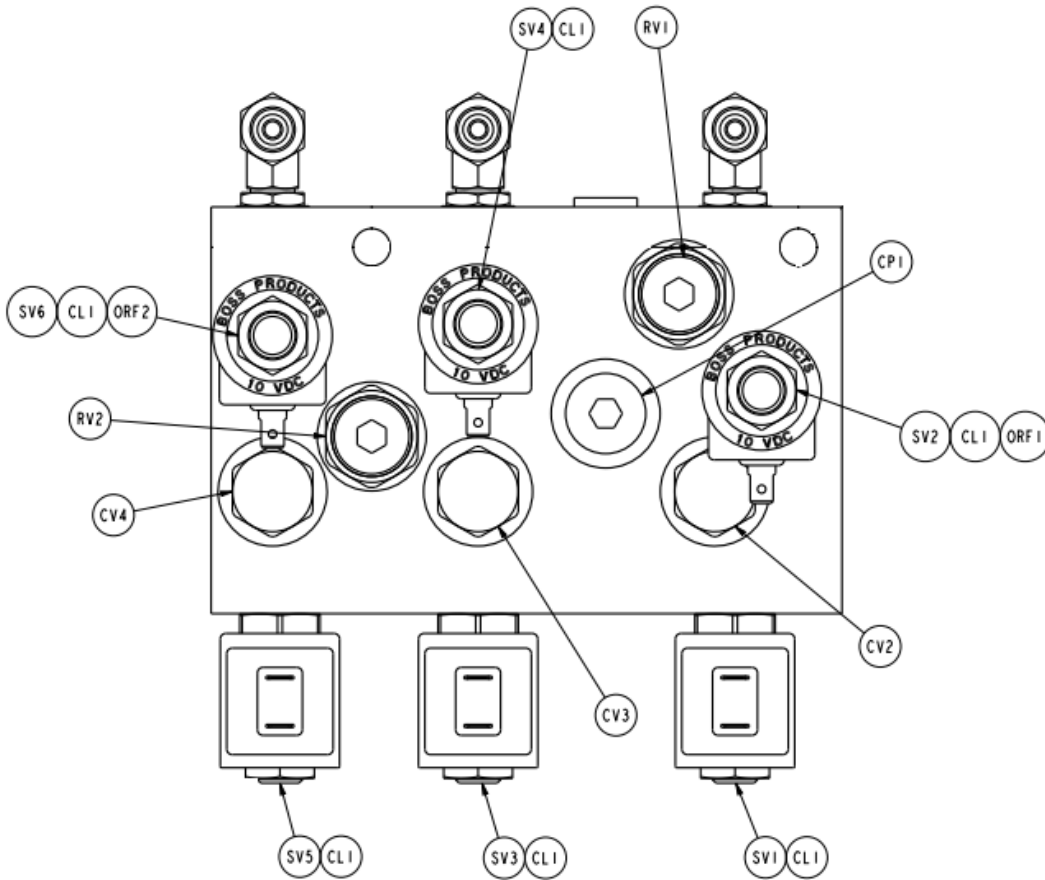
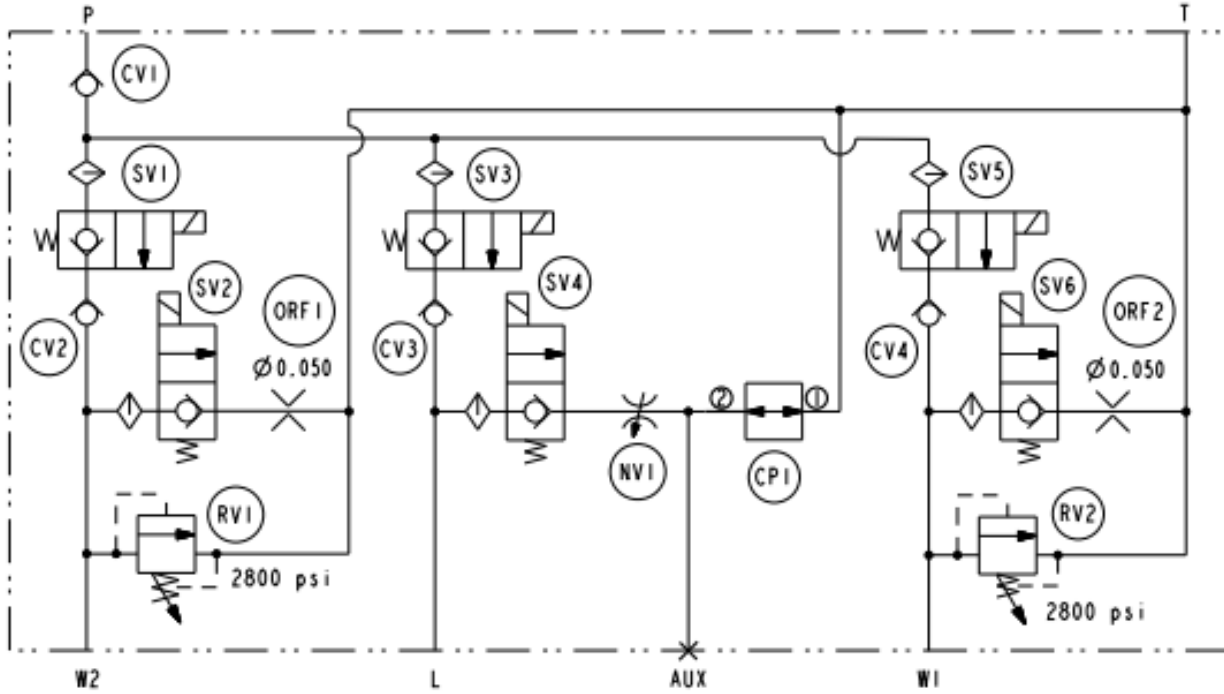




HYD12291 Valve Manifold Layout



SET ADJUSTMENT SCREW
TO 1-1/2 TO 2 TURNS
OPEN

